

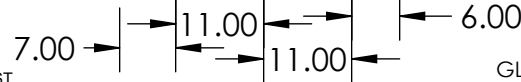
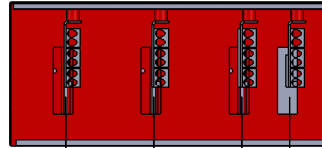
2

1

**NOTES:**

- 1. BOX AND COVER CONSTRUCTION- GALV SHEET STEEL(12GA)
- 2. SEAM WELDED CONSTRUCTION WITH OUTSIDE MOUNTING TABS
- 3. FINISH: POWDERCOAT GRAY ENAMEL
- 4. BUS BARS- COPPER 98% CONDUCTIVITY
- 5. BOX SHALL HAVE NAME PLATE WITH MANUFACTURER'S NAME,
- 6. FRONT COVERS SHALL BE SEALABLE & LOCKABLE
- 7. LINE SIDE: PROVISION FOR UP TO (6) 600MCM/ø&±
- 8. LOADSIDE: MOUNT UP TO (6) 600MCM/ø&±
- 9. UP TO 1000A: 1 LEAF OF BUS
- 10. UP TO 2000A: 2 LEAVES OF BUS
- 11. EXTERNAL WALL MOUNT TABS STANDARD, PADMOUNT AVAILABLE UPON REQUEST

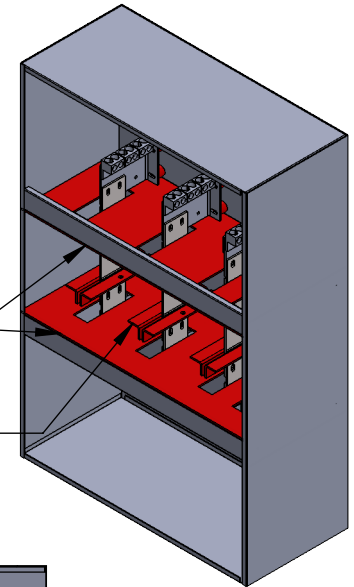
**SECTION B-B**



PHASES HAVE 1/4"-20 TAPPED HOLE IN CT COMPARTMENT FOR NEUTRAL LUG

GLASTIC CT COMPARTMENT ISOLATION BARRIER

NON CONDUCTIVE CT SUPPORTING SHELF 1/4" THICK ANGLE CHANNEL

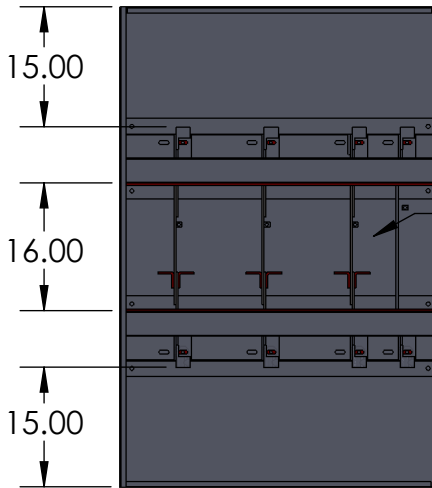
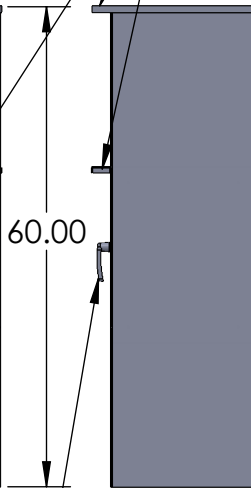
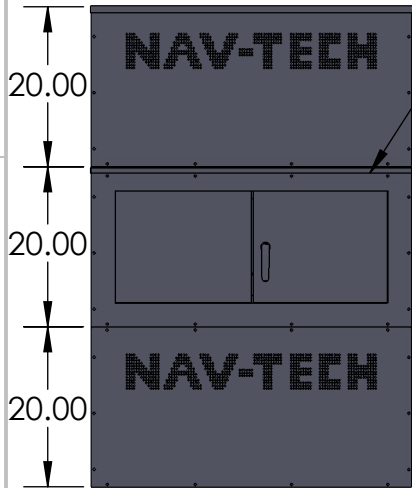


B

B



NEMA 3R SHED ROOF AND SKIRTED FRENCH DOORS. COVERS FULLY GASKETED AND STITCH WELDED CONSTRUCTION



11.00 MIN

7.00 MIN

FRONT BRACE

ALUMINUM PANEL INSERTS ON REAR AND SIDE WALLS OF CT SECTION

FRONT BRACE

600MCM LUGS STANDARD OTHER CONFIGURATIONS AVAILABLE UPON REQUEST

1/4" X 4" CU INTERLEAVED

7.00" CLEARANCE FOR REMOVABLE LEAVES

QTY OF BUS DETERMINED BY AMPERAGE DEMAND

**SECTION A-A**

A

A

PADLOCKABLE FRENCH DOOR WITH 3 PT CATCH



MATL: 12 GA GALV  
 FINISH: POWDER COAT ANSI 61 GY  
 WEIGHT:

DRAWING TITLE: **FIRST ENERGY CTR-10-20**

PART #: **NAV-FE-CTR-XX**

DESCRIPTION: **NEMA 3R CT CABINET 1000A-2000A**

**FIRST ENERGY ELECTRIC SPEC**

	NAME	DATE
DRAWN BY	J. Pincus	7/30/2024
APPROVED BY		

**PROPRIETARY AND CONFIDENTIAL**  
 THE INFORMATION CONTAINED IN THIS DRAWING IS THE SOLE PROPERTY OF Nav-Tech Inc. ANY REPRODUCTION IN PART OR AS A WHOLE WITHOUT THE WRITTEN PERMISSION OF Nav-Tech Inc. IS PROHIBITED.

155 MARCUS BLVD  
 HAUPPAUGE, NEW YORK 11788  
 PH: (718) 257-2111 FAX: (718) 257-2626

**UNLESS OTHERWISE SPECIFIED:**  
 ALL DIMENSIONS ARE NOMINAL UNLESS EXPLICITLY SPECIFIED OTHERWISE

- UNLESS OTHERWISE SPECIFIED**
1. REMOVE ALL BURRS AND BREAK ALL SHARP EDGES .015 X 45° OR .015R
  2. DIMENSIONAL LIMITS APPLY AFTER PLATING
  3.  $\frac{125}{\sqrt{\quad}}$  MACHINED SURFACES EXCEPT AS NOTED

<b>DO NOT SCALE DRAWING</b>	SCALE: 1:24	SIZE A	SHEET 1 OF 1	REV. 1
-----------------------------	-------------	--------	--------------	--------

2

1